

The S17 is a Fingertip Joystick designed for electro-hydraulic applications. A long service life and high reliability is achieved by the latest contactless hall-technology.

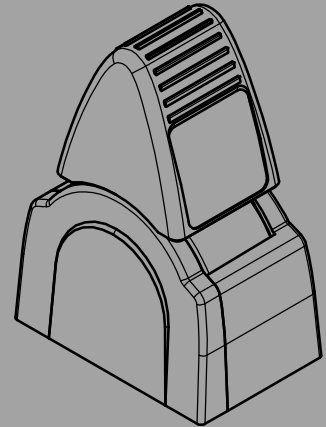
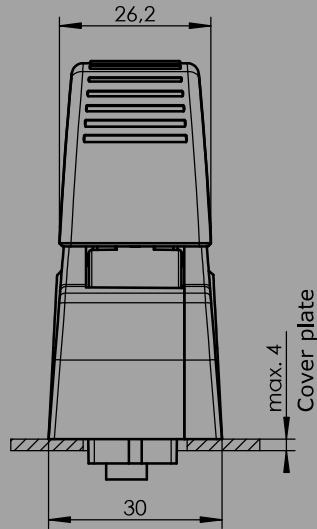
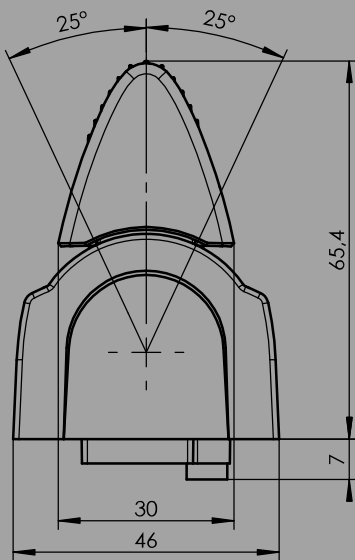
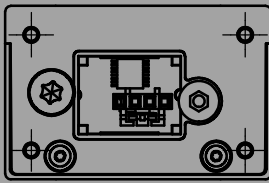
Technical data

Mechanical life	5 million operating cycles
Operating temperature	-40°C to +85°C
Degree of protection	IP67
Functional safety	PLd compatible (EN ISO 13849, complies SIL2 to DIN EN IEC 61508)



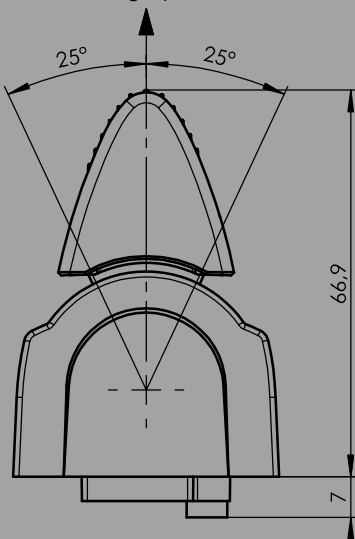
	Example					
	S17	-1	-1	-1	-E1031	-X
Basic unit						
S17 Minilever						
Actuator						
1 Actuator form A						
Actuator colour						
1 Black						
Mechanical function						
1 T-0-T						
2 T-0-T with mechanical zero interlock						
Mechanical function						
0,5...2,5...4,5 V redundant by Ub= 5 V	1 axis				E103 1	
0,5...2,5...4,5 V redundant + direction signal at Ub= 5 V	1 axis				E104 1	
					Characteristic inverse dual	1
					Characteristic dual	2
<i>SPI - Interface on request</i>						
Special model						
X Special / customer specified						

S17 Minilever



S17 Minilever with zero interlock

Lifting 1,5 mm



Hole pattern

