

The Touch Display TD1 was developed for the rough use in working machines. It is available in 7" and 10.1" versions. It can be easily integrated into the machine via the CAN bus interface. Due to the wide reading angle and the strong brightness, optimal readability is guaranteed even in difficult lighting conditions.



Example

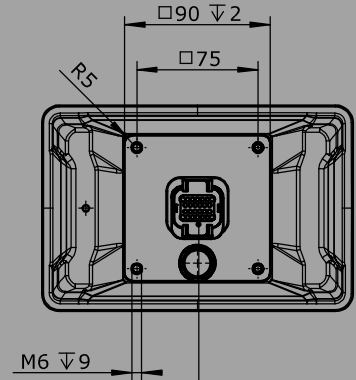
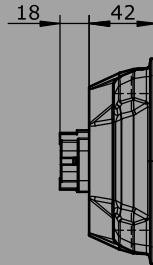
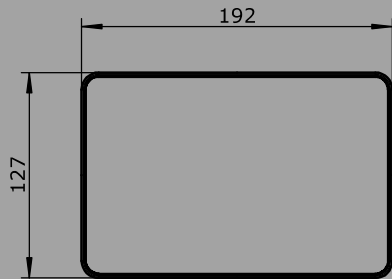
Basic unit

TD 1-7	Touch Display 7" 1024 x 600 pixel
TD 1-10	Touch Display 10,1" 1280 x 800 pixel

Technical information

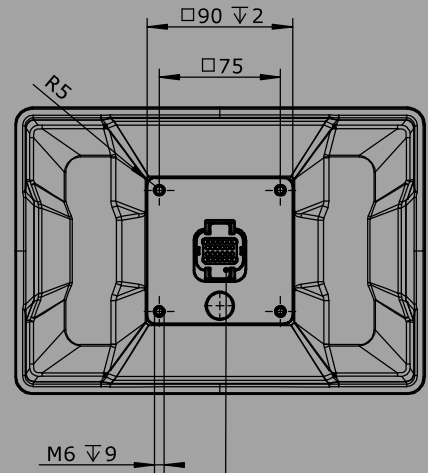
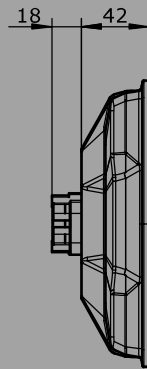
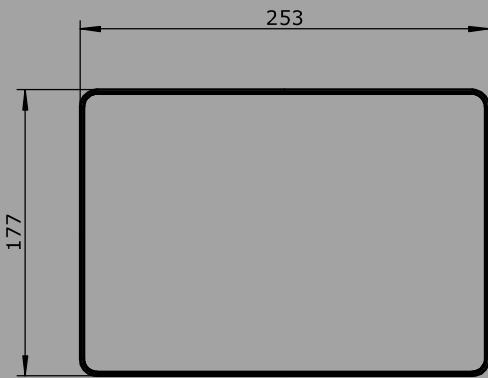
Viewing angle +/-85°
Color depth 24 bit
Contrast ratio 1000:1
Brightness type 850cd/sqm
Brightness dimmable in 16 steps
Capacitive touch panel
4-core CPU ARM A35 1.2GHz, 2GB RAM
CAN bus interface
eMMC 8GB internal
Integrated horn, external headset stereo output (for car speakers with amplifier)
USB B 2.0 Highspeed, 1500mA max. charging current
Wireless data transfer Bluetooth 4.0 or Bluetooth 5.0
Light sensor
Supply voltage 7 to 32V DC
2 digital outputs max. current 2A
5 digital inputs and ignition input
Internal real time clock
Protection class IP68
Pre-installed Linux distribution with all necessary drivers
Professional user interface can be programmed with Qt Library (LGPL)

TD1-7



Connector type Superseal 6437288-6

TD1-10



Connector type Superseal 6437288-6